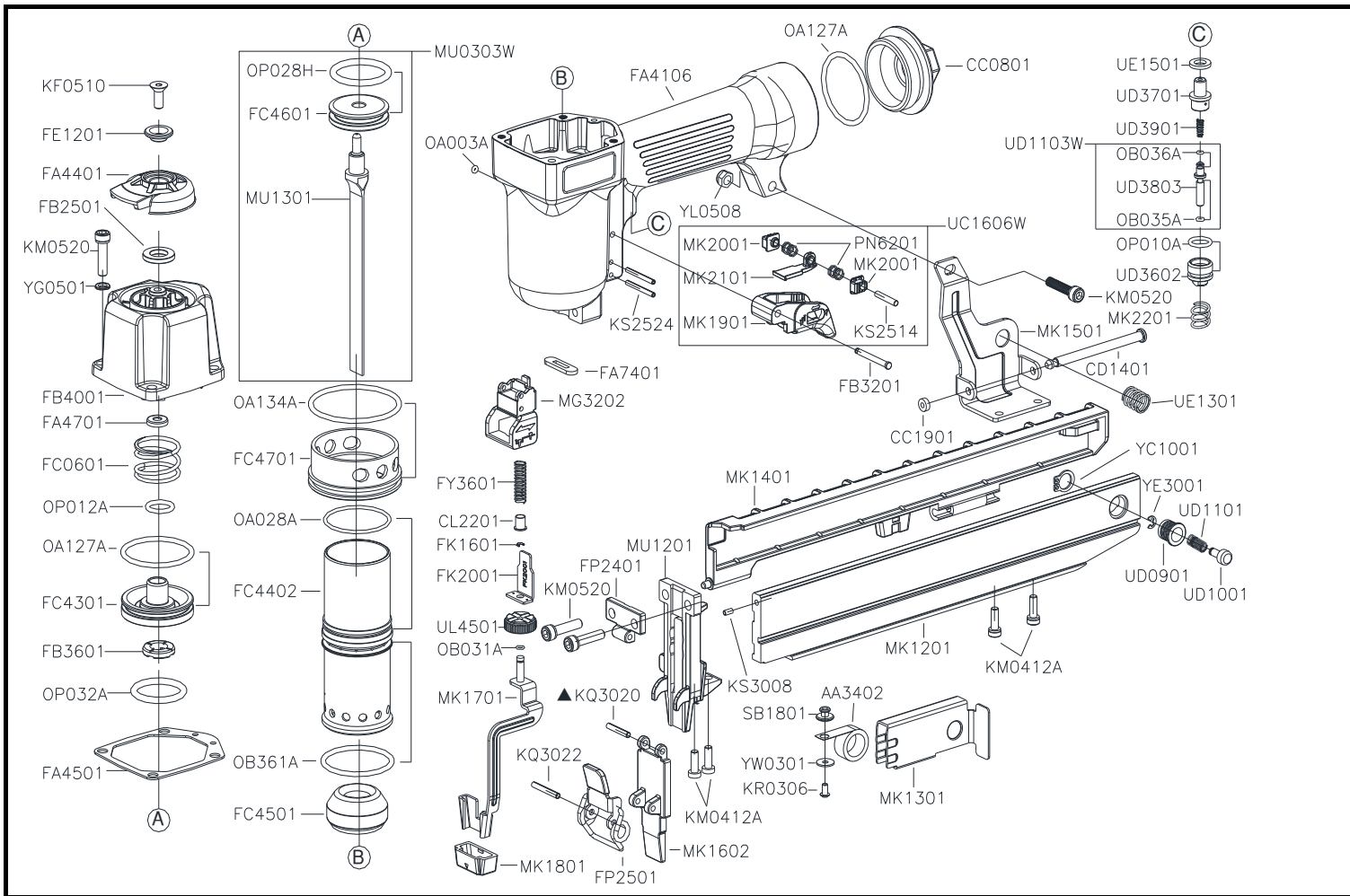


N-40LMH01 (MU/S5-01)



Part_No	Description	Spec	Q'ty	Part_No	Description	Spec	Q'ty	Part_No	Description	Spec	Q'ty
AA3402	PUSHER SPRING		1	KQ3022	SPRING PIN	∅ 3×22L	1	OP028H	O-RING	27.7×3.5	1
CC0801	END CAP		1	KR0306	BUTTON HD.BOLT	M3×0.5—6L	1	OP032A	O-RING	P32	1
CC1901	BUSHING		1	KS2514	SPRING PIN	∅ 2.5-14L	1	PN6201	COMPRESSION SPRING		2
CD1401	PIN		1	KS2524	SPRING PIN	∅ 2.5-24L	2	SB1801	SPRING SEAT		1
CL2201	BUSHING		1	KS3008	SPRING PIN	∅ 3-8L	1	UC1606W	TRIGGER ASSY.		1
FA4106	BODY		1	MG3202	SAFETY SET		1	UD0901	LATCH STUD BUSHING		1
FA4401	EXHAUST CAP		1	MK1201	MAGAZINE SEAT		1	UD1001	STOP PIN		1
FA4501	CAP SEAL		1	MK1401	COVER MAGAZINE		1	UD1101	COMPRESSION SPRING		1
FA4701	PISTON STOP		1	MK1501	SUPPORT		1	UD1103W	TRIGGER VALVE ASSY.		1
FA7401	NOZZLE		1	MK1602	ADJUSTABLE PLATE (B)		1	UD3602	TRIGGER VALVE GUIDE		1
FB2501	PISTON STOP		1	MK1701	SAFETY		1	UD3701	TRIGGER VALVE SEAT		1
FB3201	PIN		1	MK1801	SAFETY CUSHION		1	UD3803	TRIGGER VALVE STEM		1
FB3601	PISTON STOP		1	MK1901	TRIGGER		1	UD3901	COMPRESSION SPRING		1
FB4001	CYLINDER CAP		1	MK2001	ADJUST LUMP		2	UE1301	COMPRESSION SPRING		1
FC0601	COMPRESSION SPRING		1	MK2101	CONTACT LEVER		1	UE1501	SEAL		1
FC4301	HEAD VALVE PISTON		1	MK2201	COMPRESSION SPRING		1	UL4501	ADJUSTING WHEEL		1
FC4402	CYLINDER		1	MU0303W	DRIVER ASSY.		1	YC1001	C-RING	∅ 10	1
FC4501	BUMPER		1	MU1201	GUIDE PLATE		1	YE3001	E-RING	∅ 3.0	1
FC4601	MAIN PISTON		1	MU1301	DRIVER		1	YG0501	SPRING WASHER	∅ 5	4
FC4701	COLLAR		1	OA003A	O-RING	ARP568-003	1	YL0508	LOCK NUT	M5×0.8	1
FE1201	EXHAUST CAP RING		1	OA028A	O-RING	ARP568-028	1	YW0301	FLAT WASHER	∅ 3	1
FK1601	C-RING		1	OA127A	O-RING	ARP568-127	2				
FK2001	SAFETY		1	OA134A	O-RING	ARP568-134	1				
FP2401	ADJUSTABLE PLATE(A)		1	OB031A	O-RING	3×1	1				
FP2501	FIXED PIN ASSY.		1	OB035A	O-RING	2.9×1.2	1				
FY3601	COMPRESSION SPRING		1	OB036A	O-RING	2.5×1.0	1				
KF0510	FLAT HD.BOLT	M5×0.8—10L	1	OB361A	O-RING	36×3	1				
KM0412A	HEX.SOC.HD.BOLT	M4×0.7—12L	4	OP010A	O-RING	P10	1				
KM0520	HEX.SOC.HD.BOLT	M5×0.8—20L	7	OP012A	O-RING	P12	1				
▲ KQ3020	SPRING PIN	∅ 3×20L	1								

★☆☆ If you need to order parts, please mark both Parts No. and Description. ☆★