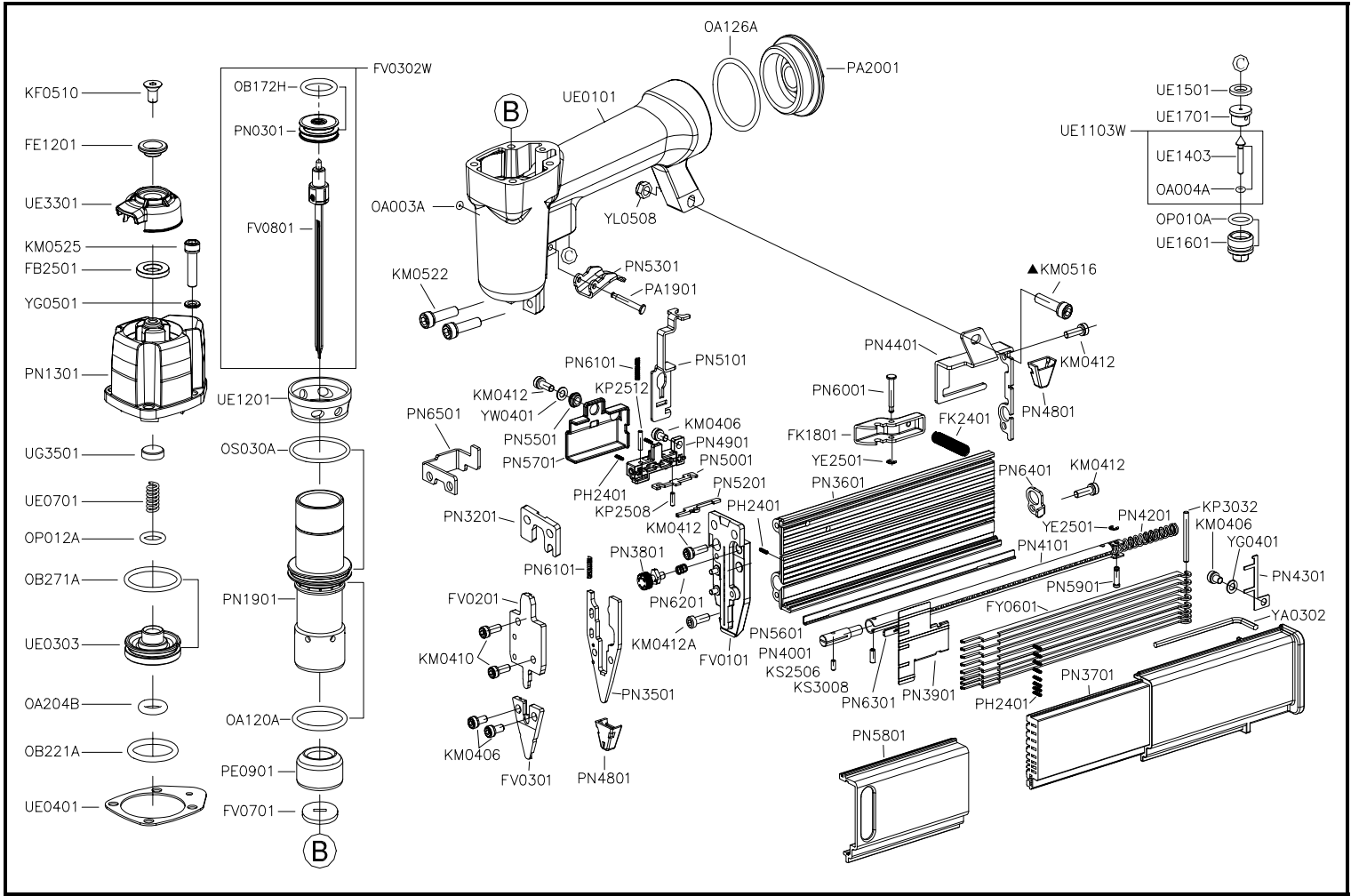


F0.6/50CC03 (FV/S2-03)



Part_No	Description	Spec	Q'ty	Part_No	Description	Spec	Q'ty	Part_No	Description	Spec	Q'ty
FB2501	PISTON STOP		1	OB221A	O-RING	22×3	1	PN5601	BAR		1
FE1201	EXHAUST CAP RING		1	OB271A	O-RING	26.8×2.4	1	PN5701	TRIP COVER		1
FK1801	LATCH		1	OP010A	O-RING	P10	1	PN5801	MAGAZINE CAP(2)		1
FK2401	COMPRESSION SPRING		1	OP012A	O-RING	P12	1	PN5901	PIN		1
FV0101	GUIDE PLATE		1	OS030A	O-RING	S-30	1	PN6001	PIN		1
FV0201	COVER PLATE(B)		1	PA1901	PIN		1	PN6101	COMPRESSION SPRING		2
FV0301	ADJUSTABLE PLATE		1	PA2001	END CAP		1	PN6201	COMPRESSION SPRING		1
FV0302W	DRIVER ASSY.		1	PE0901	BUMPER		1	PN6301	COLLET WINGS		1
FV0701	NOZZLE		1	PH2401	COMPRESSION SPRING		11	PN6401	MAGAZINE RETAINER		1
FV0801	DRIVER SET		1	PN0301	MAIN PISTON		1	PN6501	SPRING SHAFT STOP		1
FY0601	FIXED PLATE		8	PN1301	CYLINDER CAP		1	UE0101	BODY		1
KF0510	FLAT HD.BOLT	M5×0.8 - 10L	1	PN1901	CYLINDER		1	UE0303	HEAD VALVE PISTON		1
KM0406	HEX.SOC.HD.BOLT	M4×0.7 - 6L	4	PN3201	COVER PLATE(A)		1	UE0401	CAP SEAL		1
KM0410	HEX.SOC.HD.BOLT	M4×0.7 - 10L	2	PN3501	ADJUSTABLE GUIDE PLATE		1	UE0701	COMPRESSION SPRING		1
KM0412	HEX.SOC.HD.BOLT	M4×0.7 - 12L	4	PN3601	MAGAZINE SEAT		1	UE1103W	TRIGGER VALVE ASSY.		1
KM0412A	HEX.SOC.HD.BOLT	M4×0.7 - 12L	1	PN3701	MAGAZINE CAP(1)		1	UE1201	COLLAR		1
KM0516	HEX.SOC.HD.BOLT	M5×0.8 - 16L	1	PN3801	ADJUSTING WHEEL		1	UE1403	TRIGGER VALVE STEM		1
KM0522	HEX.SOC.HD.BOLT	M5×0.8 - 22L	2	PN3901	PUSHER		1	UE1501	SEAL		1
KM0525	HEX.SOC.HD.BOLT	M5×0.8 - 25L	4	PN4001	PUSHER PIN		1	UE1601	TRIGGER VALVE GUIDE		1
KP2508	PARALLEL PIN	2.5×8L	1	PN4101	ADJUSTABLE SEAT		1	UE1701	TRIGGER VALVE SEAT		1
KP2512	PARALLEL PIN	2.5×12L	1	PN4201	PUSHER SPRING		1	UE3301	EXHAUST CAP		1
KP3032	PARALLEL PIN	3×32L	1	PN4301	FIX PLATE		1	UG3501	PISTON STOP		1
KS2506	SPRING PIN	2.5-6L	1	PN4401	SUPPORT		1	YA0302	HEX BAR WRENCH	D3	1
KS3008	SPRING PIN	3-8L	1	PN4801	SAFETY CUSHION		2	YE2501	E-RING	2.5	2
OA003A	O-RING	ARP568-003	1	PN4901	SAFETY SET		1	YG0401	SPRING WASHER	4	1
OA004A	O-RING	ARP568-004	1	PN5001	PLATE		1	YG0501	SPRING WASHER	5	4
OA120A	O-RING	ARP568-120	1	PN5101	SAFETY		1	YL0508	LOCK NUT	M5×0.8	1
OA126A	O-RING	ARP568-126	1	PN5201	CONTROL PLATE		1	YW0401	FLAT WASHER	4	1
OA204B	O-RING	ARP568-204	1	PN5301	TRIGGER		1				
OB172H	O-RING	16.5×3.0	1	PN5501	PIVOT		1				

If you need to order parts, please mark both Parts No. and Description.