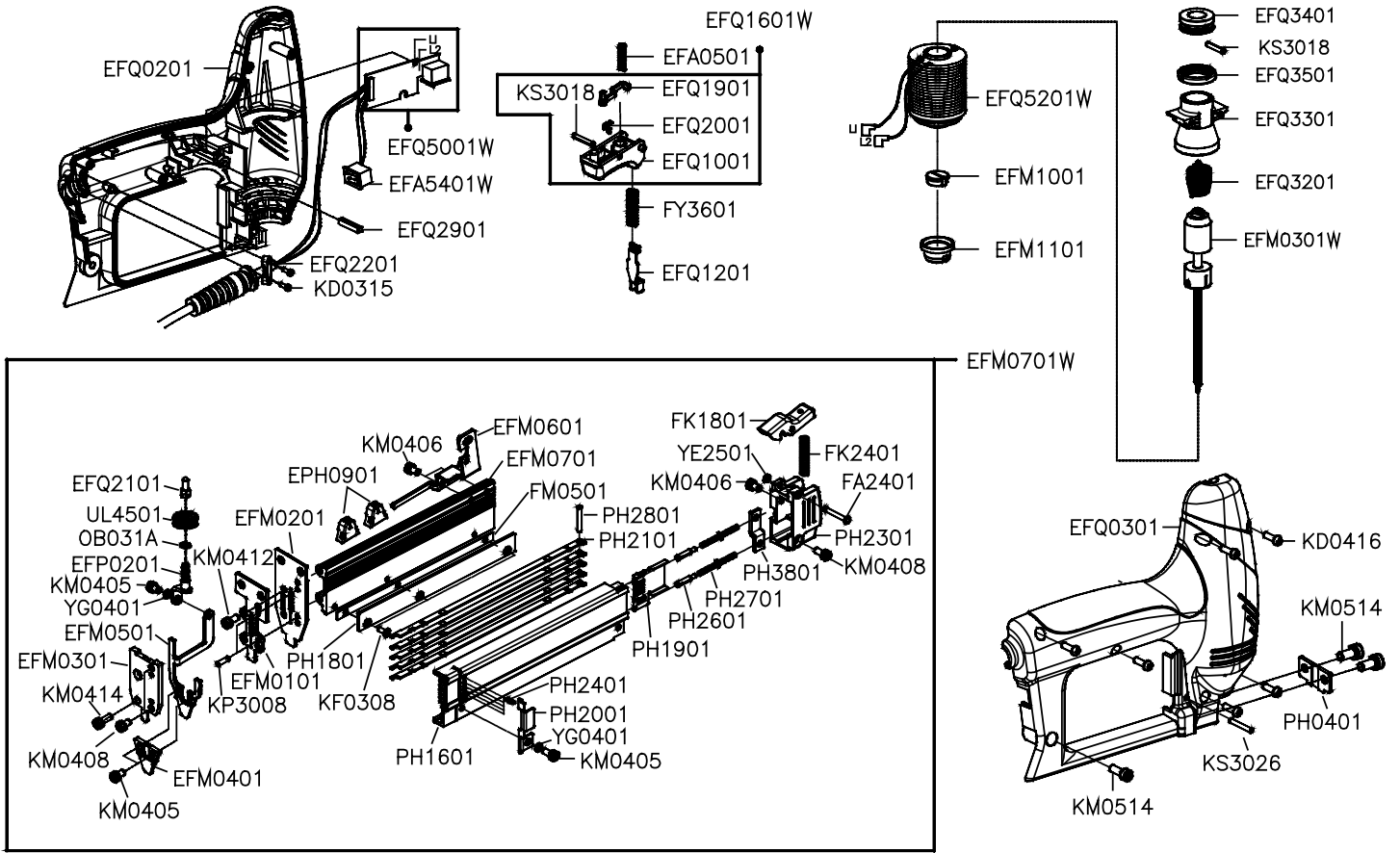


EF0.8/30C (EFM/S2-01) 220V~240V



Parts List

Part_No	Description	Q'ty	Part_No	Description	Q'ty	Part_No	Description	Q'ty
EFA0501	SPRING	1	EFQ2201	FIXTURE	1	KM0514	HEX.SOC.HD.BOLT	3
EFA5401W	POWER SWITCH ASSY.	1	EFQ2901	STOP PLATE	1	KP3008	PARALLEL PIN	2
EFM0101	GUIDE PLATE(A)	1	EFQ3201	PULL SPRING	1	KS3018	SPRING PIN	2
EFM0201	GUIDE PLATE(B)	1	EFQ3301	UPPER BUMPER	1	KS3026	SPRING PIN	1
EFM0301	COVER PLATE(B)	1	EFQ3401	PISTON STOP	1	OB031A	O-RING	1
EFM0301W	DRIVER ASSY.	1	EFQ5001W	PCB ASSY.	1	PH0401	COVER PLATE(A)	1
EFM0401	ADJUSTABLE PLATE	1	EFQ5201W	COIL ASSY.	1	PH1601	MAGAZINE CAP	1
EFM0501	WORK CONTACTING ELEMENT(A)	1	EPH0901	SAFETY CUSHION	2	PH1801	DISTANCE SET	1
EFM0601	SUPPORT	1	FA2401	PIN	1	PH1901	PUSHER	1
EFM0701	MAGAZINE SEAT	1	FK1801	LATCH	1	PH2001	MAGAZINE RETAINER	1
EFM0701W	MAGAZINE ASSY.	1	FK2401	COMPRESSION SPRING	1	PH2101	FIXED PLATE	5
EFM1001	BUMPER	1	FM0501	SPACER	1	PH2301	COVER	1
EFM1101	BUMPER COVER	1	FY3601	COMPRESSION SPRING	1	PH2401	COMPRESSION SPRING	5
EFQ0201	FRONT BODY	1	KD0315	SCREW	2	PH2601	PUSHER PIN	2
EFQ0301	REAR BODY	1	KD0416	SCREW	6	PH2701	PUSHER SPRING	2
EFQ1001	TRIGGER	1	KF0308	FLAT HD.BOLT	3	PH2801	PIVOT	1
EFQ1201	SAFETY	1	KM0405	HEX.SOC.HD.BOLT	4	PH3801	NUT PLATE	1
EFQ1601W	TRIGGER ASSY.	1	KM0406	HEX.SOC.HD.BOLT	3	UL4501	ADJUSTING WHEEL	1
EFQ1901	CONTACT LEVER	1	KM0408	HEX.SOC.HD.BOLT	3	YE2501	E-RING	1
EFQ2001	SPRING	1	KM0412	HEX.SOC.HD.BOLT	1	YG0401	SPRING WASHER	2
EFQ2101	FIXED	1	KM0414	HEX.SOC.HD.BOLT	1			