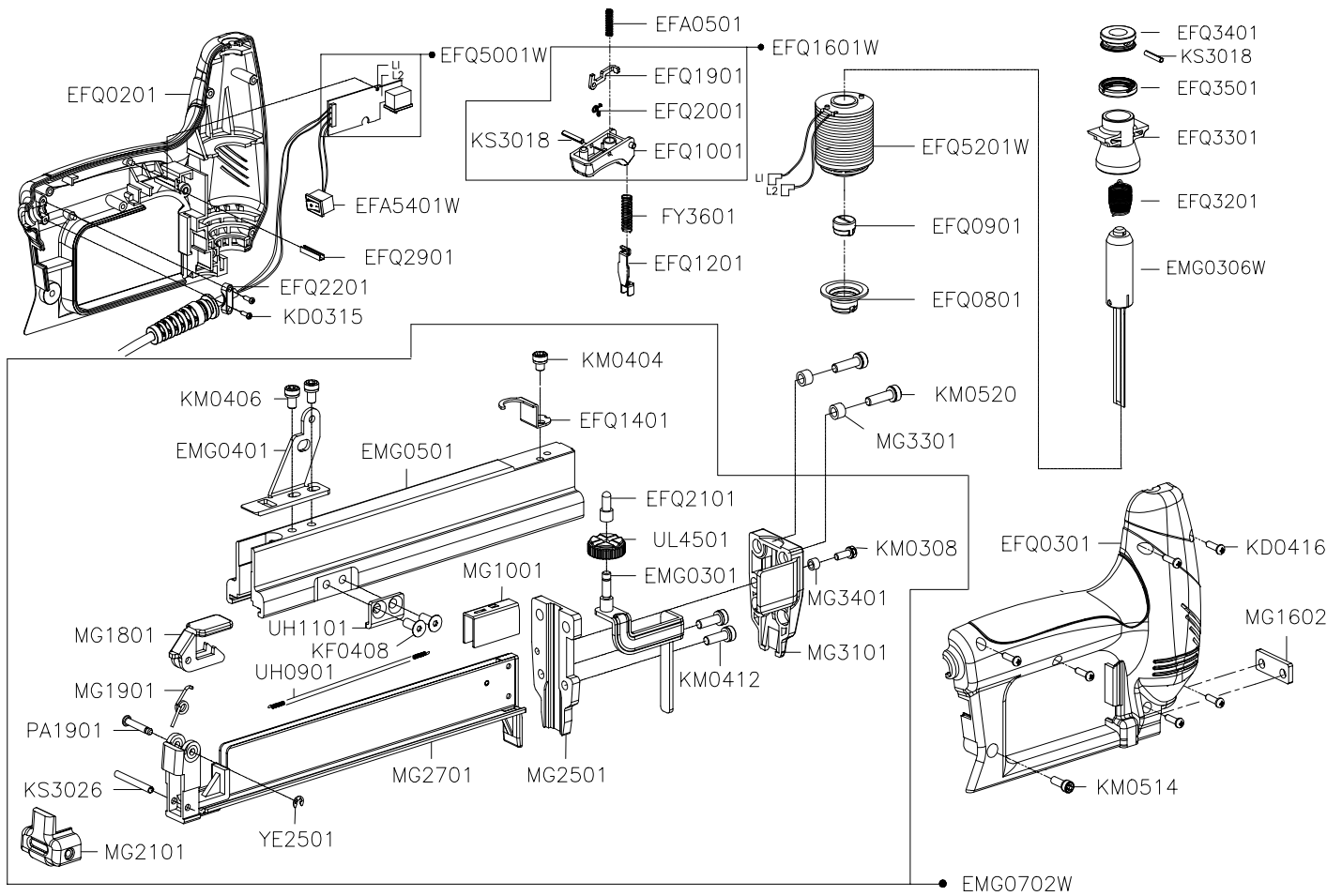


# E92/25C11 (EMG/S2-11) 220V~240V



## Parts List

Part_No	Description	Q'ty	Part_No	Description	Q'ty	Part_No	Description	Q'ty
EFA0501	SPRING	1	EFQ3501	PU CUSHION	1	KS3018	SPRING PIN	2
EFA5401W	POWER SWITCH ASSY.	1	EFQ5001W	PCB ASSY.	1	KS3026	SPRING PIN	1
EFQ0201	FRONT BODY	1	EFQ5201W	COIL ASSY.	1	MG1001	PUSHER	1
EFQ0301	REAR BODY	1	EMG0301	WORK CONTACTING ELEMENT	1	MG1602	GUIDE PLATE	1
EFQ0801	BUMPER COVER	1	EMG0306W	DRIVER ASSY.	1	MG1801	LATCH	1
EFQ0901	BUMPER	1	EMG0401	SUPPORT	1	MG1901	SPRING	1
EFQ1001	TRIGGER	1	EMG0501	MAGAZINE CAP	1	MG2101	COVER	1
EFQ1201	SAFETY	1	EMG0702W	MAGAZINE ASSY.	1	MG2501	COVER PLATE	1
EFQ1401	FIXED PLATE	1	FY3601	COMPRESSION SPRING	1	MG2701	MAGAZINE SEAT SET	1
EFQ1601W	TRIGGER ASSY.	1	KD0315	SCREW	2	MG3101	PLATE	1
EFQ1901	CONTACT LEVER	1	KD0416	SCREW	6	MG3301	CAP	2
EFQ2001	SPRING	1	KF0408	FLAT HD.BOLT	2	MG3401	CAP	1
EFQ2101	FIXED	1	KM0308	HEX.SOC.HD.BOLT	1	PA1901	PIN	1
EFQ2201	FIXTURE	1	KM0404	HEX.SOC.HD.BOLT	1	UH0901	PULL SPRING	1
EFQ2901	STOP PLATE	1	KM0406	HEX.SOC.HD.BOLT	2	UH1101	MAGAZINE RETAINER	1
EFQ3201	PULL SPRING	1	KM0412	HEX.SOC.HD.BOLT	2	UL4501	ADJUSTING WHEEL	1
EFQ3301	UPPER BUMPER	1	KM0514	HEX.SOC.HD.BOLT	1	YE2501	E-RING	1
EFQ3401	PISTON STOP	1	KM0520	HEX.SOC.HD.BOLT	2			