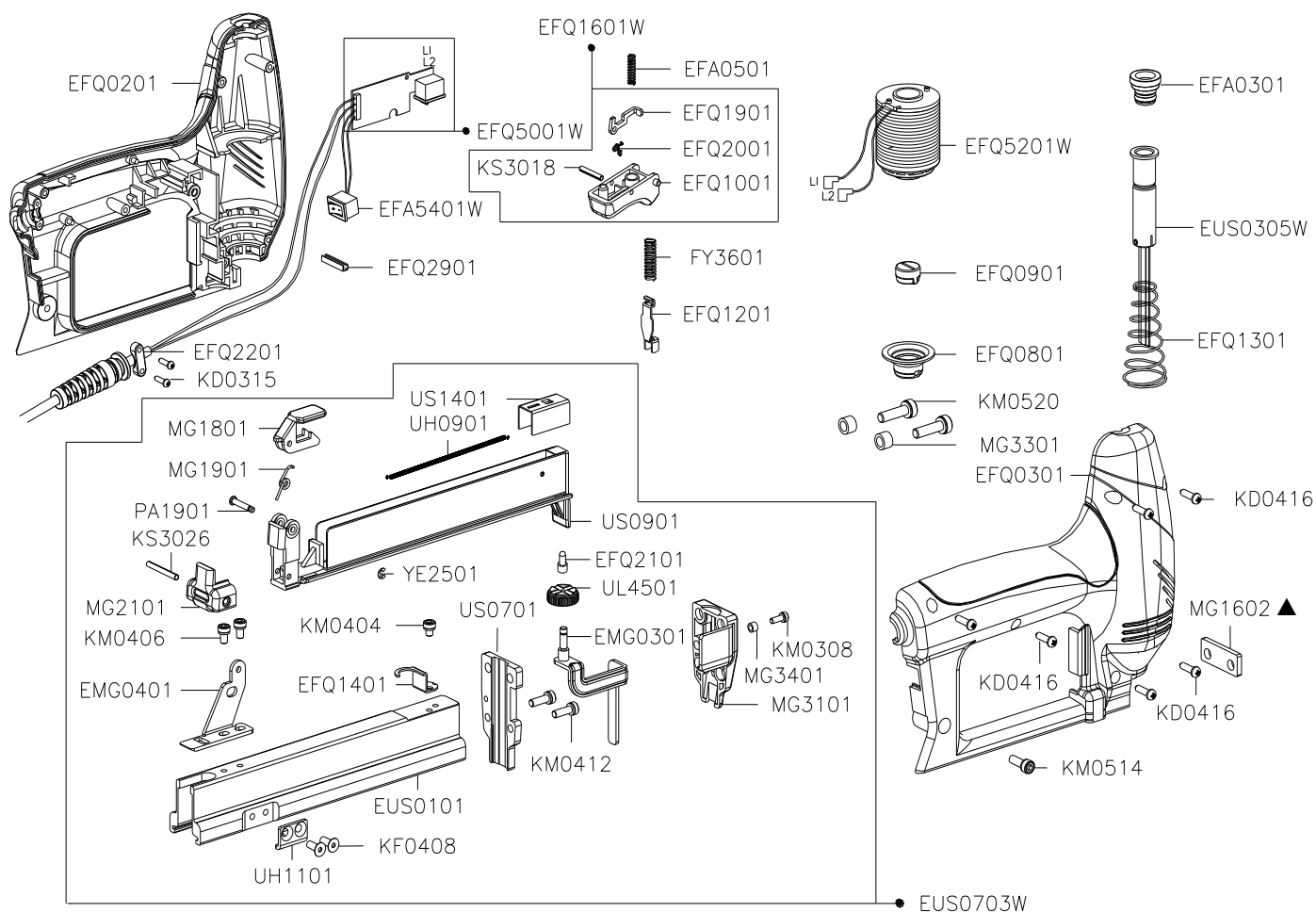


E80/25 (EUS/S2-03) 220V~240V

G



Parts List

Part_No	Description	Q'ty	Part_No	Description	Q'ty	Part_No	Description	Q'ty
EFA0301	PISTON STOP	1	EUS0305W	DRIVER ASSY.	1	UH0901	PULL SPRING	1
EFA0501	SPRING	1	EUS0703W	MAGAZINE ASSY.	1	UH1101	MAGAZINE RETAINER	1
EFA5401W	POWER SWITCH ASSY.	1	FY3601	COMPRESSION SPRING	1	UL4501	ADJUSTING WHEEL	1
EFQ0201	FRONT BODY	1	KD0315	SCREW	2	US0701	COVER PLATE	1
EFQ0301	REAR BODY	1	KD0416	SCREW	6	US0901	MAGAZINE SEAT SET	1
EFQ0801	BUMPER COVER	1	KF0408	FLAT HD.BOLT	2	US1401	PUSHER	1
EFQ0901	BUMPER	1	KM0308	HEX.SOC.HD.BOLT	1	YE2501	E-RING	1
EFQ1001	TRIGGER	1	KM0404	HEX.SOC.HD.BOLT	1			
EFQ1201	SAFETY	1	KM0406	HEX.SOC.HD.BOLT	2			
EFQ1301	COMPRESSION SPRING	1	KM0412	HEX.SOC.HD.BOLT	2			
EFQ1401	FIXED PLATE	1	KM0514	HEX.SOC.HD.BOLT	1			
EFQ1601W	TRIGGER ASSY.	1	KM0520	HEX.SOC.HD.BOLT	2			
EFQ1901	CONTACT LEVER	1	KS3018	SPRING PIN	1			
EFQ2001	SPRING	1	KS3026	SPRING PIN	1			
EFQ2101	FIXED	1	▲ MG1602	GUIDE PLATE	1			
EFQ2201	FIXTURE	1	MG1801	LATCH	1			
EFQ2901	STOP PLATE	1	MG1901	SPRING	1			
EFQ5001W	PCB ASSY.	1	MG2101	COVER	1			
EFQ5201W	COIL ASSY.	1	MG3101	PLATE	1			
EMG0301	WORK CONTACTING ELEMENT	1	MG3301	CAP	2			
EMG0401	SUPPORT	1	MG3401	CAP	1			
EUS0101	MAGAZINE CAP	1	PA1901	PIN	1			

★☆☆ If you need to order parts, please mark both Parts No. and Description. ☆☆☆