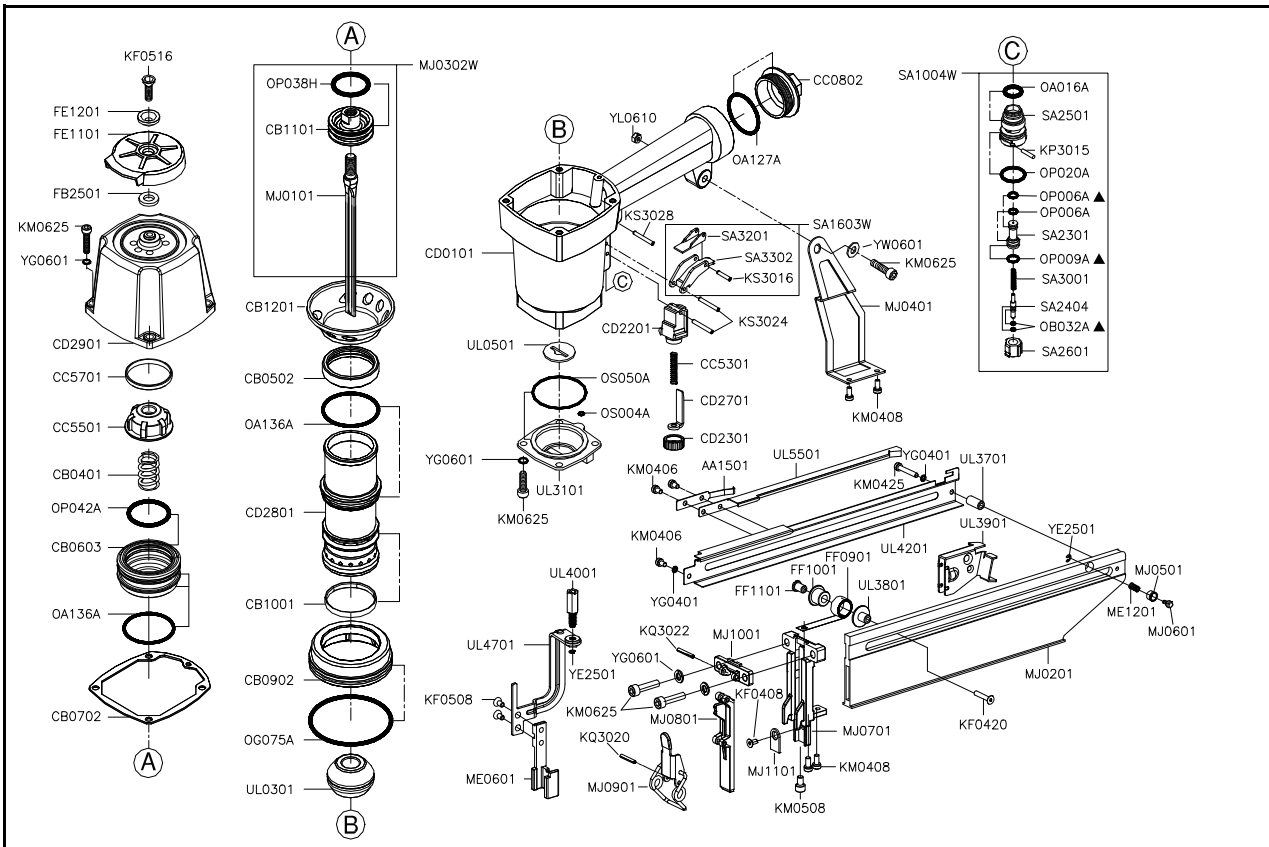


# Q-64B04 (MJ/S1-04)

C



Part_No	Description	Spec	Qty	Part_No	Description	Spec	Qty	Part_No	Description	Spec	Qty
AA1501	SPRING		1	KM0408	HEX.SOC.HD.BOLT	M4×0.7—8L	4	OP020A	O-RING	P20	1
CB0401	COMPRESSION SPRING		1	KM0425	HEX.SOC.HD.BOLT	M4×0.7—25L	1	OP038H	O-RING	37.7×3.5	1
CB0502	CYLINDER RING		1	KM0508	HEX.SOC.HD.BOLT	M5×0.8—8L	1	OP042A	O-RING	P42	1
CB0603	HEAD VALVE PISTON		1	KM0625	HEX.SOC.HD.BOLT	M6×1.0—25L	11	OS004A	O-RING	S-4	1
CB0702	CAP SEAL		1	KP3015	PARALLEL PIN	φ 3×15L	2	OS050A	O-RING	S-50	1
CB0902	CYLINDER RING		1	KQ3020	SPRING PIN	φ 3×20L	1	SA1004W	RESTRICTIVE TRIGGER ASSY.		1
CB1001	CHECK SEAL		1	KQ3022	SPRING PIN	φ 3×22L	1	SA1603W	TRIGGER ASSY.		1
CB1101	MAIN PISTON		1	KS3016	SPRING PIN	φ 3-16L	1	SA2301	PILOT VALVE		1
CB1201	COLLAR		1	KS3024	SPRING PIN	φ 3-24L	2	SA2404	TRIGGER VALVE STEM		1
CC0802	END CAP		1	KS3028	SPRING PIN	φ 3-28L	1	SA2501	TRIGGER VALVE SEAT		1
CC5301	COMPRESSION SPRING		1	ME0601	WORK CONTACTING ELEMENT		1	SA2601	TRIGGER VALVE SEAT		1
CC5501	PISTON STOP		1	ME1201	COMPRESSION SPRING		1	SA3001	COMPRESSION SPRING		1
CC5701	SPACER		1	MJ0101	DRIVER		1	SA3201	CONTACT LEVER		1
CD0101	BODY		1	MJ0201	MAGAZINE SEAT		1	SA3302	TRIGGER		1
CD2201	SAFETY SET		1	MJ0302W	DRIVER ASSY.		1	UL0301	COVER MAGAZINE(A)		1
CD2301	ADJUSTING WHEEL		1	MJ0401	SUPPORT		1	UL0501	NOZZLE		1
CD2701	SAFETY		1	MJ0501	LATCH STUD BUSHING		1	UL3101	SIDE PLATE(L.H.)		1
CD2801	CYLINDER		1	MJ0601	STOP PIN		1	UL3701	DISTANCE SHAFT		1
CD2901	CYLINDER CAP		1	MJ0701	GUIDE PLATE		1	UL3801	PUSHER PIN		1
FB2501	PISTON STOP		1	MJ0801	ADJUSTABLE PLATE (B)		1	UL3901	PUSHER		1
FE1101	EXHAUST CAP		1	MJ0901	FIXED PIN ASSY.		1	UL4001	ADJUSTING PIN		1
FE1201	EXHAUST CAP RING		1	MJ1001	ADJUSTABLE PLATE (A)		1	UL4201	COVER MAGAZINE(A)		1
FF0901	PUSHER SPRING		1	MJ1101	RUBBER PLATE		1	UL4701	WORK CONTACTING ELEMENT(B)		1
FF1001	ROLLER		1	OA016A	O-RING	ARP568-016	1	UL5501	COVER MAGAZINE(B)		1
FF1101	ROLLER ANCHOR		1	OA127A	O-RING	ARP568-127	1	YE2501	E-RING	φ 2.5	2
KF0408	FLAT HD.BOLT	M4×0.7—8L	1	OA136A	O-RING	ARP568-136	3	YG0401	SPRING WASHER	φ 4	2
KF0420	FLAT HD.BOLT	M4×0.7—20L	1	OB032A	O-RING	2.5×1.4	2	YG0601	SPRING WASHER	φ 6	10
KF0508	FLAT HD.BOLT	M5×0.8—8L	2	OG075A	O-RING	G75	1	YL0610	LOCK NUT	M6×1.0	1
KF0516	FLAT HD.BOLT	M5×0.8—16L	1	OP006A	O-RING	P6	2	YW0601	FLAT WASHER	φ 6	1
KM0406	HEX.SOC.HD.BOLT	M4×0.7—6L	3	OP009A	O-RING	P9	1				

★☆☆ If you need to order parts, please mark both Parts No. and De